

Product Name:	PET/PETG Square Storage Bottles
Product Application:	<p>NEST's Square Reagent Bottle is an ideal option of storage and transportation container for culture medium, serum, buffer, intermediates and reagents for biopharmaceutical and biotechnology companies, reagent R&D institutions, etc.</p> <p>The two kinds of raw materials of the bottle, PET and PETG, are both in line with USP Class VI Class USP<661> biocompatibility requirements and ISO10993 Quality System.</p> <ol style="list-style-type: none"> Storage or sampling of active pharmaceutical ingredients and bulk intermediates Experiments or storage of buffers, culture solutions, intermediates and supernatants, etc. Storage of specific PH-sensitive liquid.
Product Materials:	<p>PET/PETG Bottle + PP Cap</p> <p><i>Meets USP, Class VI standards</i></p>
product Specifications:	<p>Temperature range: stored at room temperature</p> <p>Shelf life: 3 Years after date of production (ensure package is in good)</p>
Sterilization:	<p>Yes.</p> <p>Sterilized by E-beam, Sterility Assurance Level: SAL=10⁻⁶. The product has been irradiated and dosimetrically released based on ANSI/AAMI/ISO 11137</p>
Pyrogens:	Non-Pyrogenic
RNase/DNase:	DNase/RNase free
BSE/TSE:	These products are deemed animal free.
Performance Testing:	<p>Each manufacturing lot is sampled and tested in accordance with standard operating procedures.</p> <p>Appearance inspection: qualified Seal test: qualified</p> <p>Freeze testing: qualified Packaging inspection: qualified</p>
Features	<ol style="list-style-type: none"> PET wall is light in weight and resistant to low temperature, while PETG wall is thick, durable, and resistant to fracture. High chemical durability, suitable for the storage of high purity reagent, standard particle materials and samples. High transparency, strong mechanical strength and shock resistance, and convenient for observation and transportation. Highly tolerant of low temperature, UV rays, and resistant to fracture. Smooth inner surface can minimize the residue on the wall. Available in a variety of volumes:30/60/125/250/500/1000ml. Endotoxin free

	7. Sterile, DNase/RNase/Pyrogen free.
Precaution	Unfit for autoclave. Not a vessel to be heated.

Product Range

Cat. No.	Product Description	Volume (mL)	/Pack	/Case
354111	30 mL PETG Square Storage Bottle, Sterile	30	5	40
354511	60 mL PETG Square Storage Bottle, Sterile	60	6	48
353511	125 mL PETG Square Storage Bottle, Sterile	125	6	48
352511	250 mL PETG Square Storage Bottle, Sterile	250	6	48
333511	500 mL PETG Square Storage Bottle, Sterile	500	8	24
334511	1000 mL PETG Square Storage Bottle, Sterile	1000	4	12
354211	30 mL PET Square Storage Bottle, Sterile	30	5	40
354611	60 mL PET Square Storage Bottle, Sterile	60	6	48
353611	125 mL PET Square Storage Bottle, Sterile	125	6	48
352611	250 mL PET Square Storage Bottle, Sterile	250	6	48
333001	500 mL PET Square Storage Bottle, Sterile	500	8	24
334001	1000 mL PET Square Storage Bottle, Sterile	1000	4	12

Product picture:

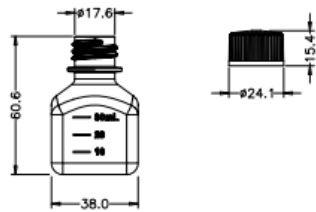


Head Office No. 530, Xida Road, Meicun Industrial Park, Xinwu District, Wuxi, Jiangsu, China
 Tel: +86+ 510-6800 6788 Email: info@nest-wuxi.com
 Online: www.cell-nest.com

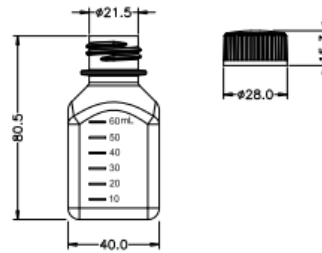
Overseas NEST USA (New Jersey/ Phoenix)
 NEST scientific 株式会社 (Yokohama, Japan)
 NEST Scientific Europe B.V (Netherlands)
 Nest Scientific (MENA) FZE (Sharjah, United Arab Emirates)

Technical Drawing

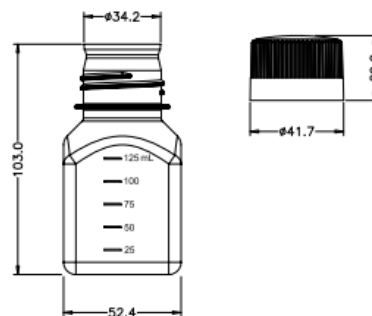
30ml



60ml

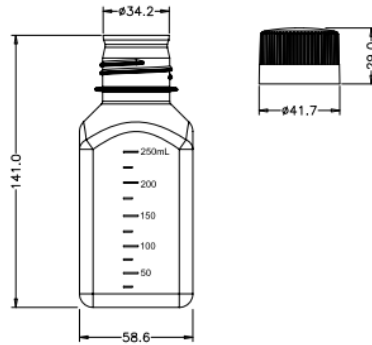


125ml

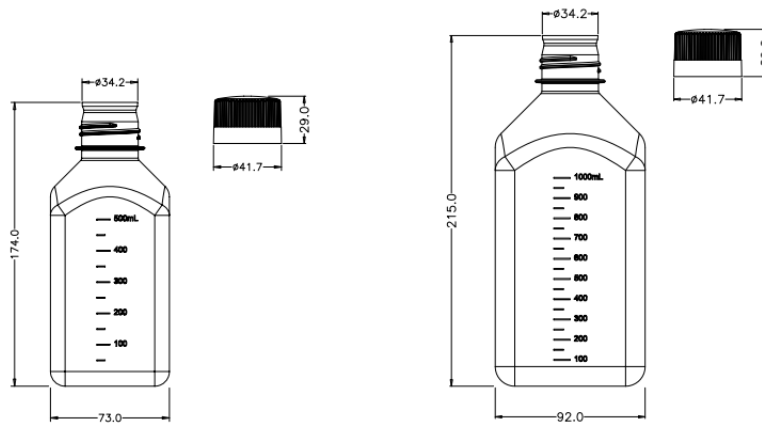


Head Office No. 530, Xida Road, Meicun Industrial Park, Xinwu District, Wuxi, Jiangsu, China
Tel: +86+ 510-6800 6788 Email: info@nest-wuxi.com
Online: www.cell-nest.com

Overseas NEST USA (New Jersey/ Phoenix)
NEST scientific 株式会社 (Yokohama, Japan)
NEST Scientific Europe B.V (Netherlands)
Nest Scientific (MENA) FZE (Sharjah, United Arab Emirates)



250ml



500ml

1000ml

Head Office No. 530, Xida Road, Meicun Industrial Park, Xinwu District, Wuxi, Jiangsu, China
Tel: +86+ 510-6800 6788 Email: info@nest-wuxi.com
Online: www.cell-nest.com

Overseas NEST USA (New Jersey/ Phoenix)
NEST scientific 株式会社 (Yokohama, Japan)
NEST Scientific Europe B.V (Netherlands)
Nest Scientific (MENA) FZE (Sharjah, United Arab Emirates)