

Deep Well Plates

The length and width of the deep well plate comply with the SBS international standards. The deep well plates of NEST have a variety of specifications, conforming to the needs of fully automatic workstations and experiments.

Application

Genomic DNA extraction, plasmid DNA extraction, and nucleic acid extraction and purification of various samples. High-throughput automatic liquid operation to achieve high-throughput operations, such as protein precipitation, liquid extraction, and processing of animal tissues, bacteria, plants, soil, clinical samples, yeasts, etc.

Features

1. Used high quality, imported PP material for high stability, ensuring no chemical reactions with test reagents.
2. Compatible with DMSO and inert to water.
3. Can be stored under subzero temperature from -40 to -80°C.
4. Maximum sustainable centrifuge force 4000g.
5. Autoclavable at 20Psi, 121°C for 20 minutes, great heating uniformity.
6. Minimum residual liquid, low heavy metal content.
7. Certified DNase/RNase and Pyrogen Free.
8. Conformed to international SBS Standards.
9. Good flatness and can be transported for long distance after sealing by heat sealable film.
10. Produced and packed in Class 100,000 clean workshop.
11. Alphabetical sorting and cut angle mark for convenient tracking of samples.
12. Each package has a separate article number/batch number identification, facilitating the quality tracking.

Product Range

Round Well

Non-sterile Cat.No.	Sterile Cat.No.	Description	/Pk	/Cs
504102	504162	3.5 ml 48-Well Deep Well Plate, U-Bottom, Round well	5	50
501102	501162	0.4 ml 96-Well Deep Well Plate, U-Bottom, Round well	5	50
502102	502162	1.0 ml 96-Well Deep Well Plate, U-Bottom, Round well	5	50
503102	503162	2.0 ml 96-Well Deep Well Plate, U-Bottom, Round Well	5	50
500101	500161	0.36 ml 96-Well Deep Well Plate, V-Bottom, Round well	5	50
501101	501601	0.5ml 96-Well Deep Well Plate, V-Bottom, Round well	10	50
502101	502601	1.3 ml 96-Well Deep Well Plate, V-Bottom, Round well	5	50
507001	507101	1.3 ml 96-Well Deep Well Plate, U-Bottom, Round well	5	50

NEST China	Tel	: 0510-6878 8698 / 6878 8718	NEST USA	Tel	: +1-732-381-0268
	Email	: info@nest-wuxi.com		Email	: info@nestscientificusa.com
	Website	: www.cell-nest.com		Website	: www.nestscientificusa.com
	Add	: No.530, xida road, new district, Wuxi, Jiangsu, China		Add	: 1592 Hart St., Rahway, NJ07065, USA

Square Well

Non-sterile Cat.No.	Sterile Cat.No.	Description	/Pk	/Cs
504302	504362	10.4 ml 24-well Deep Well Plate, U-Bottom, Square well	5	50
504002	504062	4.6 ml 48-Well Deep Well Plate, U-Bottom, Square well	5	50
501002	501062	1.0 ml 96-Well Deep Well Plate, U-Bottom, Square Well	5	50
502002	502062	1.6 ml 96-Well Deep Well Plate, U-Bottom, Square Well	5	50
503002	503062	2.2 ml 96-Well Deep Well Plate, U-Bottom, Square Well	5	50
503001	503501	2.2 ml 96-Well Deep Well Plate, V-Bottom, Square well	5	50
503711	503761	2.2 ml 96-Well Deep Well Plate, I-shaped, U-Bottom, Square Well	5	50
503021	503621	2.2 ml 96-Well Deep Well Plate, V Conical Bottom, Square well 503021 Equivalent to Thermo Fisher #95040450, Non-sterile 503621 Equivalent to Thermo Fisher #95040460, Sterile	5	50
500021	500621	0.5 ml 96-Well Deep Well Plate, V Conical Bottom, Square well 500021 Equivalent to Thermo Fisher #97002540, Non-sterile	5	50
504301	504361	10.4 ml 24-well Deep Well Plate, V-Bottom, Square well 504301 Equivalent to Thermo Fisher #95040470, Non-sterile 504361 Equivalent to Thermo Fisher #95040480, Sterile	5	50
/	510011	16 mL 24-Well Deep Well Plates, V Bottom, Square Well, with 24 Well Plastic Comb, 67.6*13.5 mm, Sterile, Compatible with Thermo KingFisher System	1	25
/	510001	16 mL 24-Well Deep Well Plates, V Bottom, Square Well, Sterile, Compatible with Thermo KingFisher System	1	25

Tip Combs

Non-sterile Cat.No.	Sterile Cat.No.	Description	/Pk	/Cs
509211	509261	8 Tip Combs, U-Bottom	2	500
503311	503361	96 Tip Combs for Magnetic applications 503311 Equivalent to Thermo Fisher #97002534, Non-sterile 503361 Equivalent to Thermo Fisher #97002820, Sterile	2	50
/	509001	24 Tip Combs, 67.6*13.5 mm, Sterile, Compatible with Thermo KingFisher System	1	25

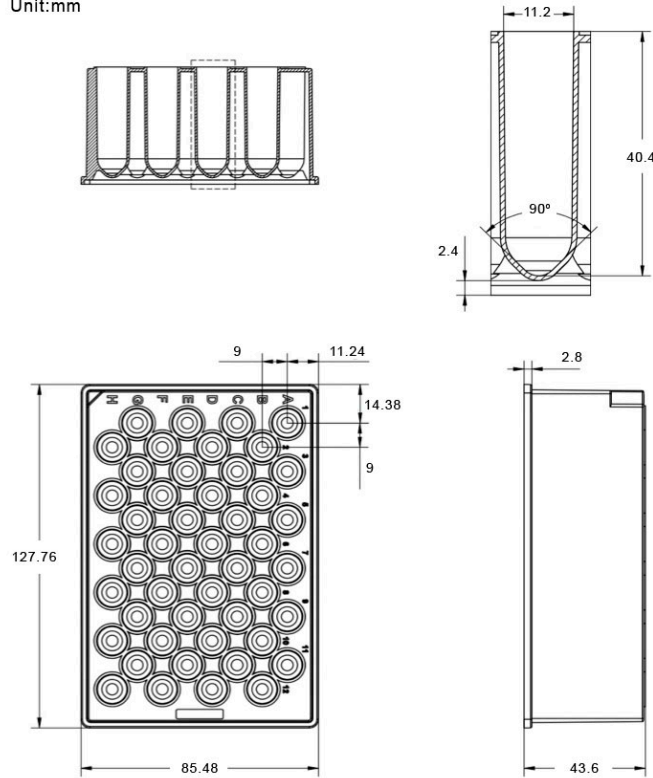
Silicone Sealing Mat

Non-sterile Cat.No.	Sterile Cat.No.	Description	/Pk	/Cs
506005	506065	96 Well Round well Silicone Sealing Mat, can be punctured, ≤1.0 ml	10	50
506006	506066	96 Well Round well Silicone Sealing Mat, 2.0 ml	10	50
506003	506063	96 Well Square well Silicone Sealing Mat	10	50
506004	506064	96 Well Square well Silicone Sealing Mat, can be punctured	10	50

Technical Drawing

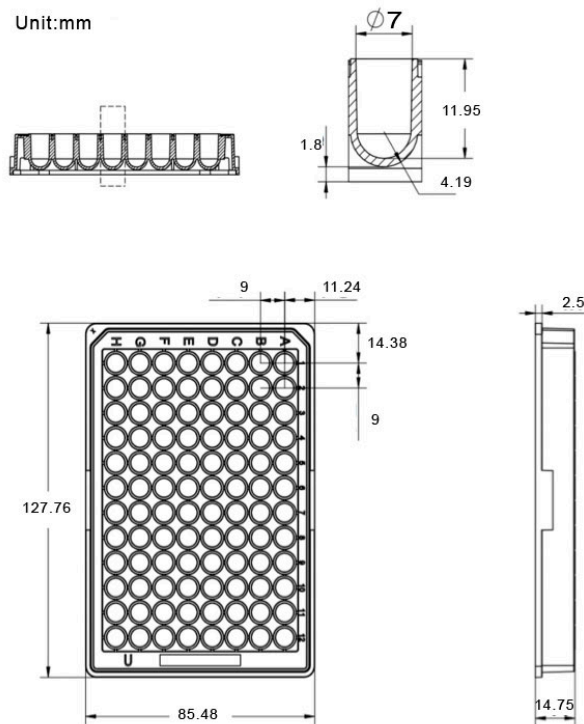
**504102 & 504162,
3.5ml 48-Well, U-Bottom, Round well**

Unit:mm



**501102 & 501162,
0.4ml 96-Well, U-Bottom, Round well**

Unit:mm



**NEST
China**

Tel : 0510-6878 8698 / 6878 8718
 Email : info@nest-wuxi.com
 Website : www.cell-nest.com
 Add : No.530, xida road, new district, Wuxi, Jiangsu, China

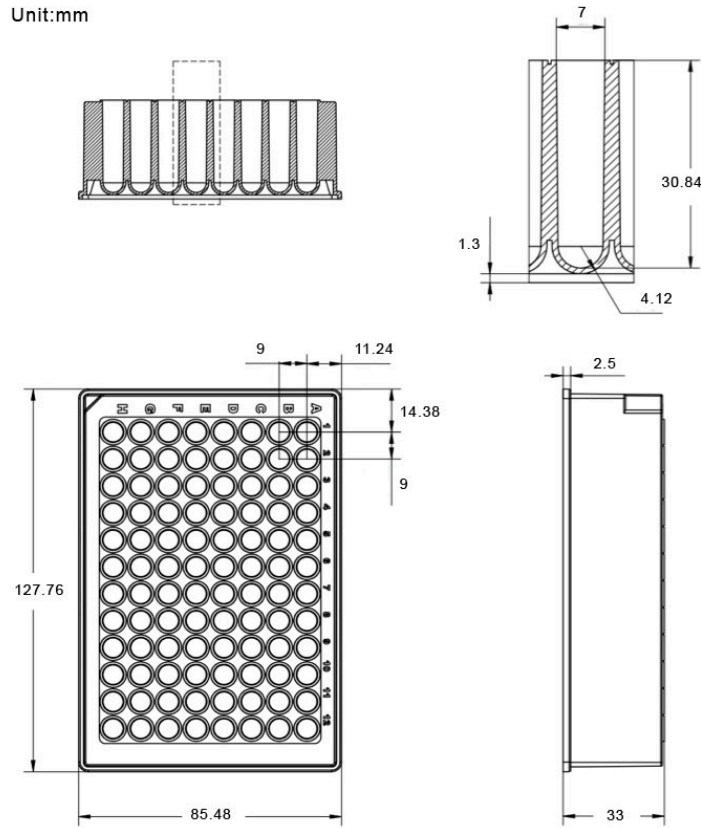
**NEST
USA**

Tel : +1-732-381-0268
 Email : info@nestscientificusa.com
 Website : www.nestscientificusa.com
 Add : 1592 Hart St., Rahway, NJ07065, USA

ISO9001 & ISO13485 & ISO11137

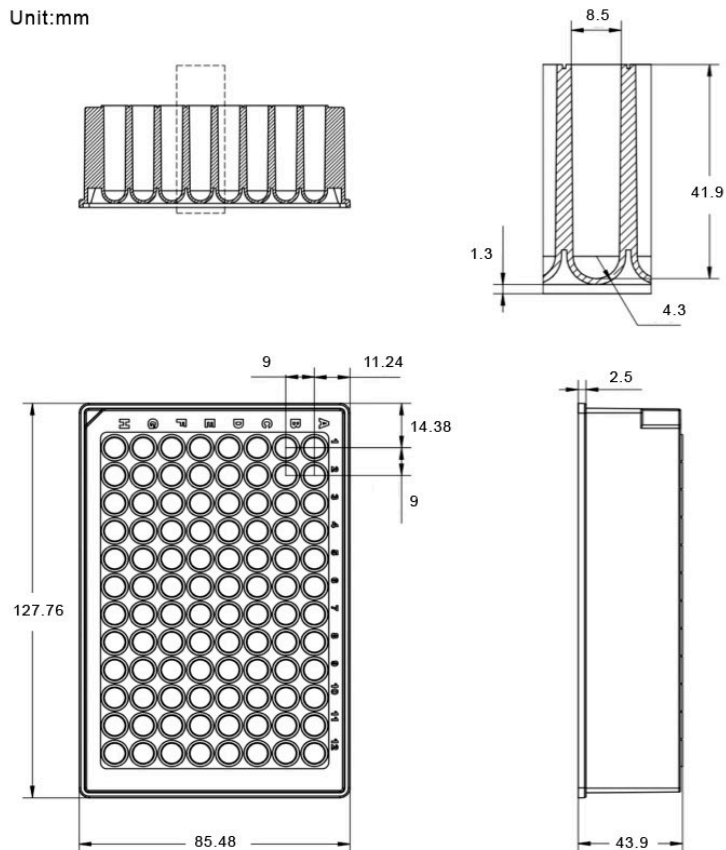
**502102 & 502162,
1ml 96-Well, U-Bottom, Round well**

Unit:mm



**503102 & 503162,
2ml 96-Well, U-Bottom, Round Well**

Unit:mm

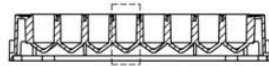


NEST China
 Tel : 0510-6878 8698 / 6878 8718
 Email : info@nest-wuxi.com
 Website : www.cell-nest.com
 Add : No.530, xida road, new district, Wuxi, Jiangsu, China

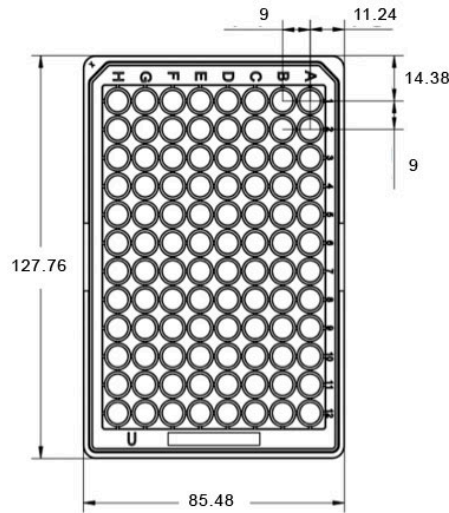
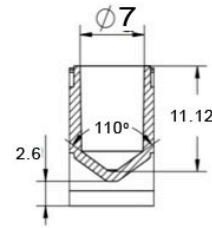
NEST USA
 Tel : +1-732-381-0268
 Email : info@nestscientificusa.com
 Website : www.nestscientificusa.com
 Add : 1592 Hart St., Rahway, NJ07065, USA

ISO9001 & ISO13485 & ISO11137

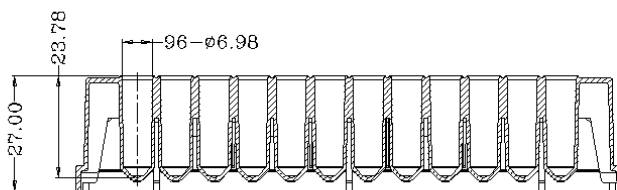
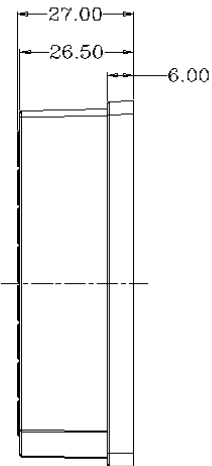
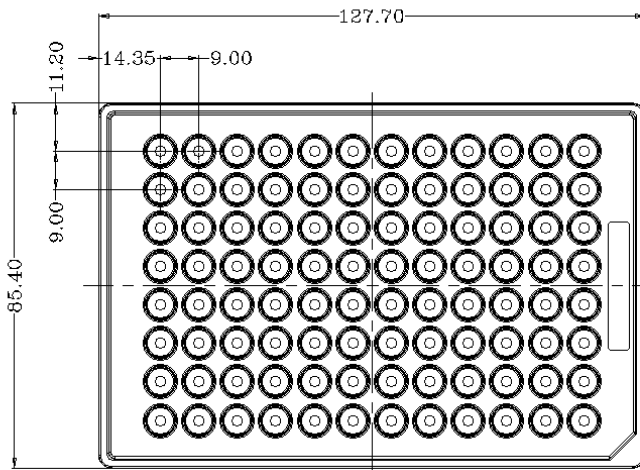
**500101 & 500161,
0.36ml 96-Well, V-Bottom, Round well**



Unit:mm



**501101 & 501601,
0.5ml 96-Well, V-Bottom, Round well**

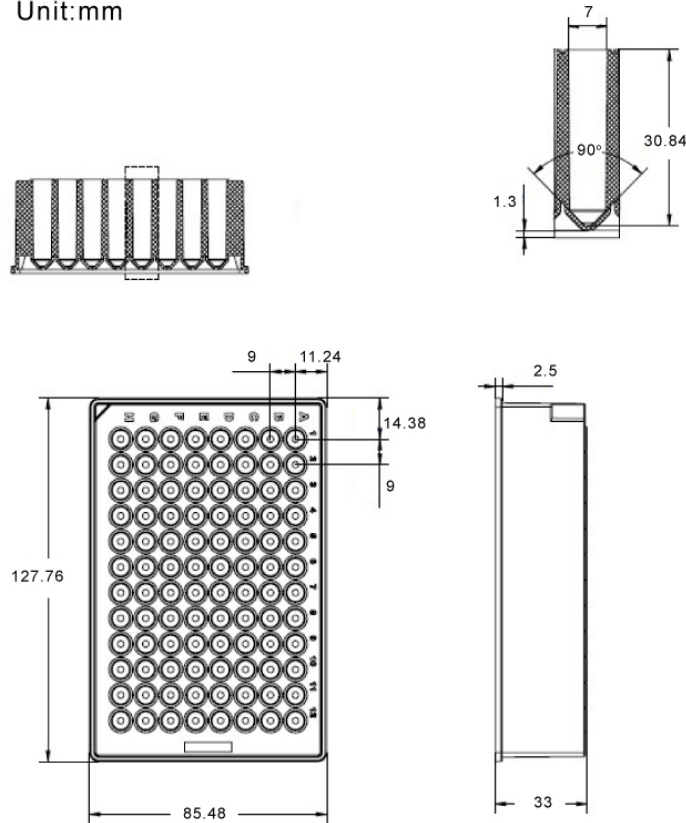


NEST China
 Tel : 0510-6878 8698 / 6878 8718
 Email : info@nest-wuxi.com
 Website : www.cell-nest.com
 Add : No.530, xida road, new district, Wuxi, Jiangsu, China

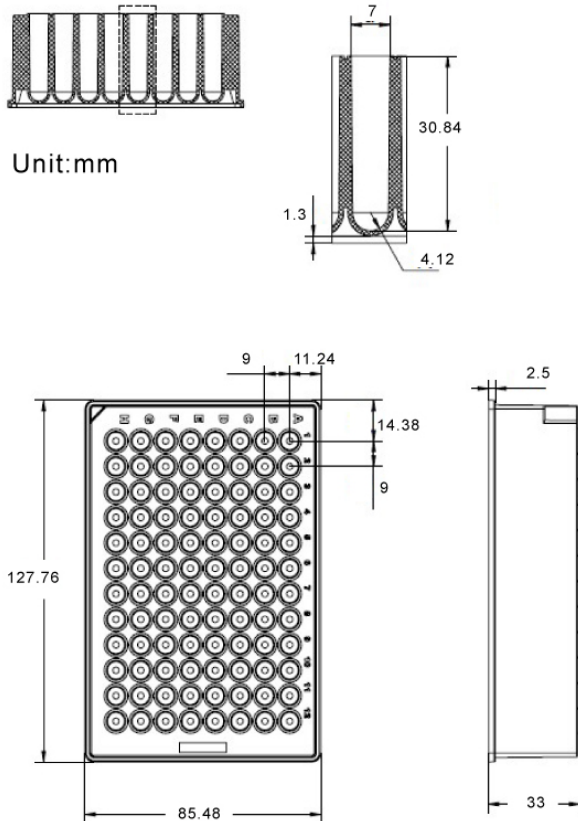
NEST USA
 Tel : +1-732-381-0268
 Email : info@nestscientificusa.com
 Website : www.nestscientificusa.com
 Add : 1592 Hart St., Rahway, NJ07065, USA

**502101 & 502601,
1.3 ml 96-Well, V-Bottom, Round well**

Unit:mm



**507001 & 507101,
1.3 ml 96-Well, U-Bottom, Round well**



Unit:mm

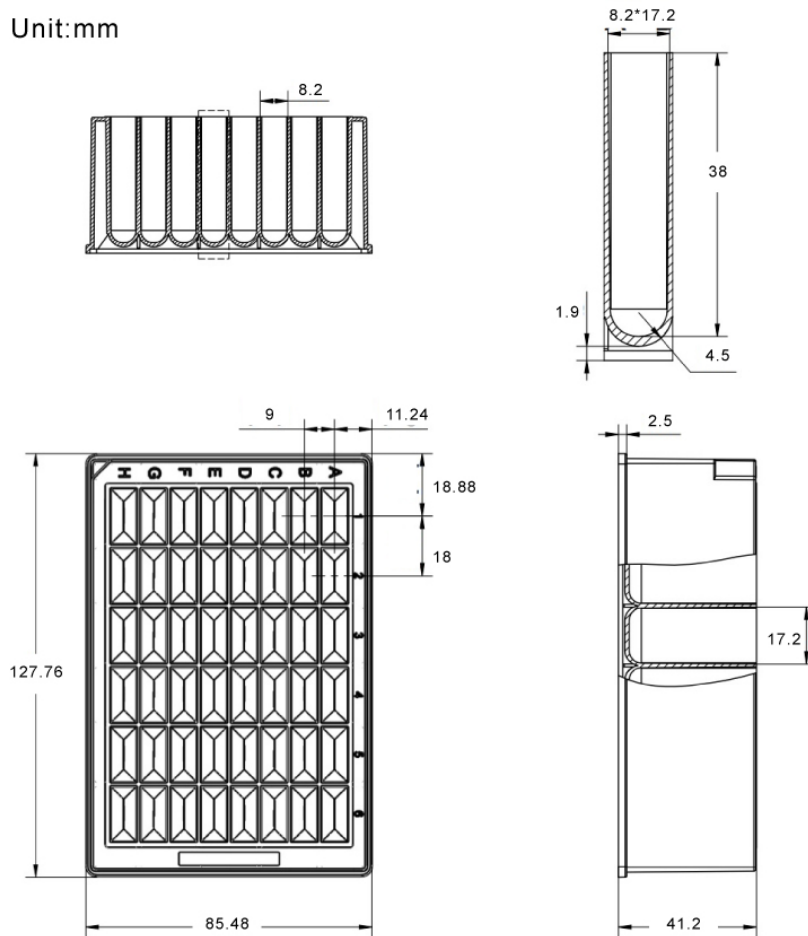
NEST China	Tel : 0510-6878 8698 / 6878 8718
	Email : info@nest-wuxi.com
	Website : www.cell-nest.com
	Add : No.530, xida road, new district, Wuxi, Jiangsu, China

NEST USA	Tel : +1-732-381-0268
	Email : info@nestscientificusa.com
	Website : www.nestscientificusa.com
	Add : 1592 Hart St., Rahway, NJ07065, USA

ISO9001 & ISO13485 & ISO11137

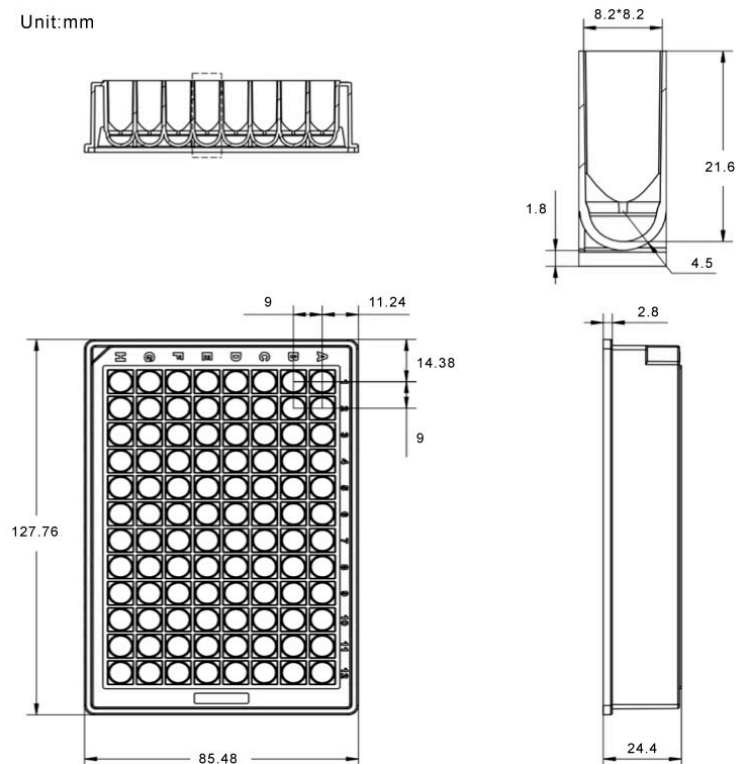
**504002 & 504062,
4.6ml 48-Well, U-Bottom, Square well**

Unit:mm



**501002 & 501062,
1ml 96-Well, U-Bottom, Square Well**

Unit:mm



**NEST
China**

Tel : 0510-6878 8698 / 6878 8718
 Email : info@nest-wuxi.com
 Website : www.cell-nest.com
 Add : No.530, xida road, new district, Wuxi, Jiangsu, China

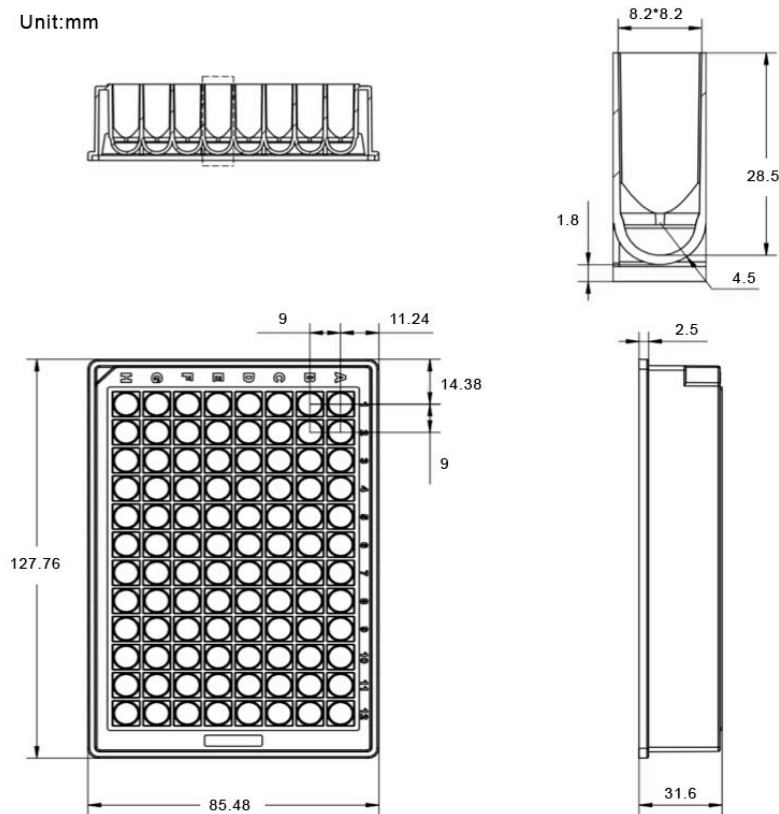
**NEST
USA**

Tel : +1-732-381-0268
 Email : info@nestscientificusa.com
 Website : www.nestscientificusa.com
 Add : 1592 Hart St., Rahway, NJ07065, USA

ISO9001 & ISO13485 & ISO11137

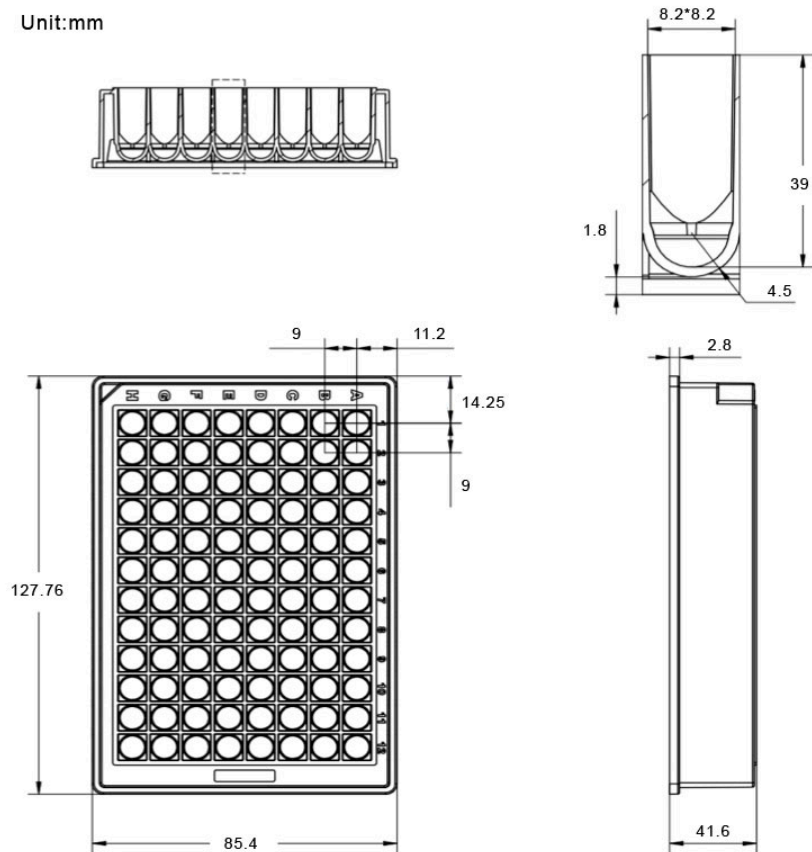
**502002 & 502062,
1.6ml 96-Well, U-Bottom, Square Well**

Unit:mm



**503002 & 503062,
2.2ml 96-Well, U-Bottom, Square Well**

Unit:mm

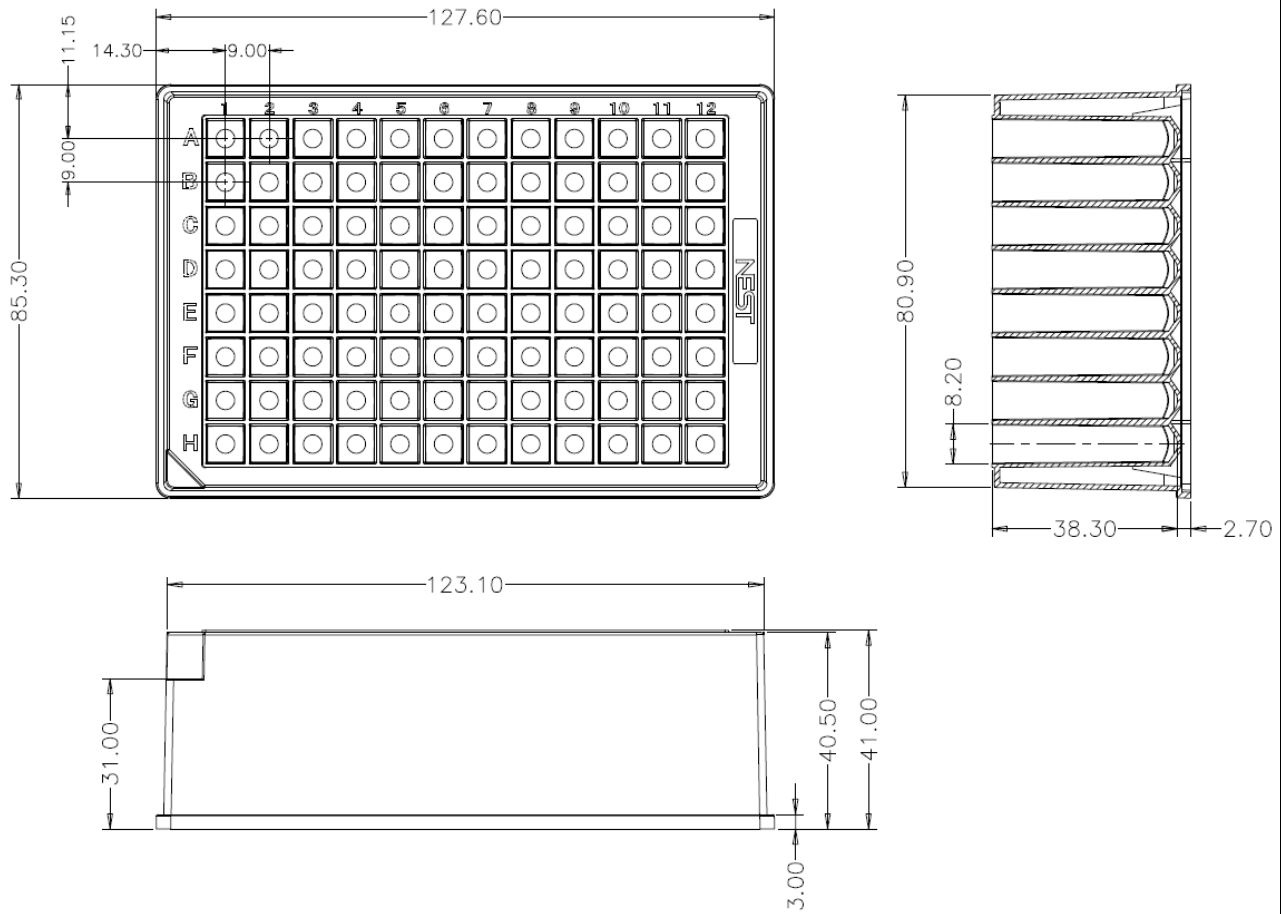


NEST China
 Tel : 0510-6878 8698 / 6878 8718
 Email : info@nest-wuxi.com
 Website : www.cell-nest.com
 Add : No.530, xida road, new district, Wuxi, Jiangsu, China

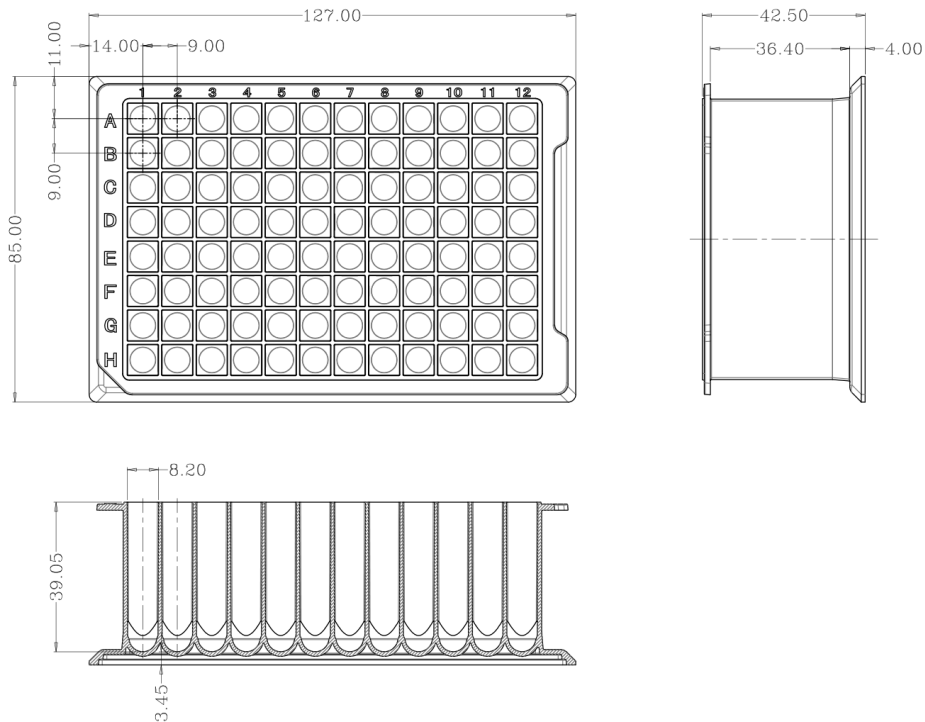
NEST USA
 Tel : +1-732-381-0268
 Email : info@nestscientificusa.com
 Website : www.nestscientificusa.com
 Add : 1592 Hart St., Rahway, NJ07065, USA

ISO9001 & ISO13485 & ISO11137

**503001 & 503501,
2.2ml 96-Well, V-Bottom, Square well**



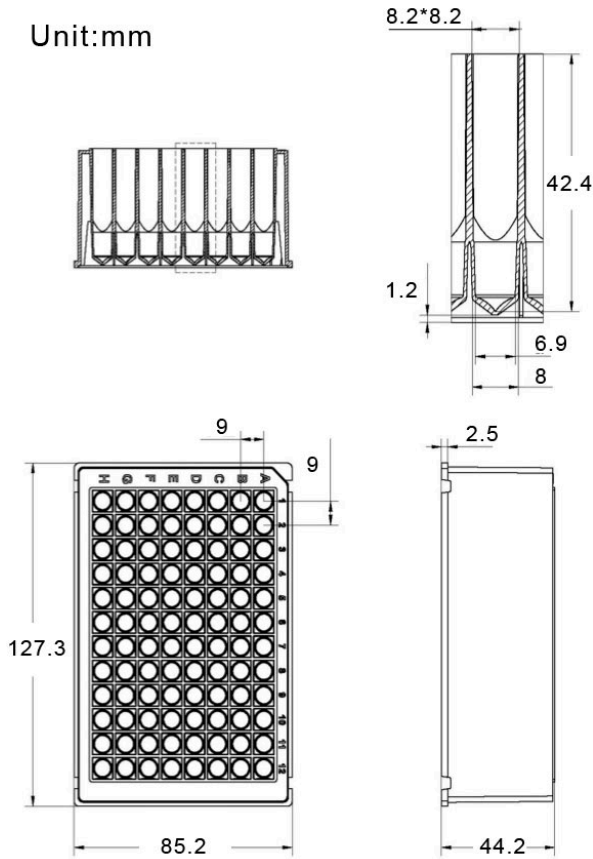
**503711 & 503761,
2.2ml 96-Well, I-shaped, U-Bottom, Square Well**



NEST China	Tel	: 0510-6878 8698 / 6878 8718	NEST USA	Tel	: +1-732-381-0268
	Email	: info@nest-wuxi.com		Email	: info@nestscientificusa.com
	Website	: www.cell-nest.com		Website	: www.nestscientificusa.com
	Add	: No.530, xida road, new district, Wuxi, Jiangsu, China		Add	: 1592 Hart St., Rahway, NJ07065, USA

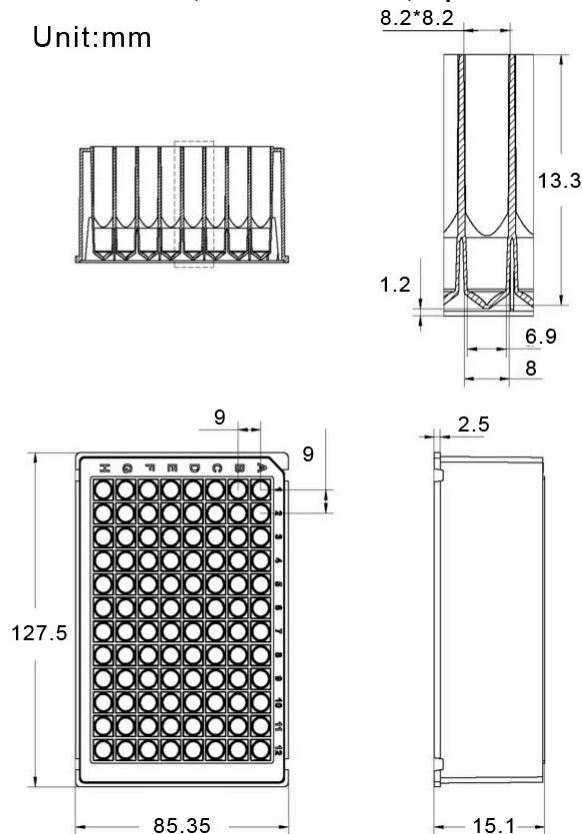
**503621 & 503021,
2.2ml 96-Well, V Conical Bottom, Square well**

Unit:mm



**500621 & 500021,
0.5ml 96-Well, V Conical Bottom, Square well**

Unit:mm

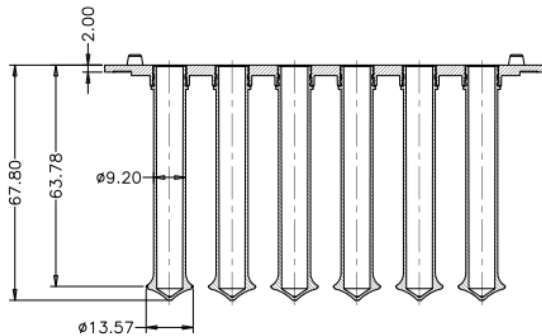
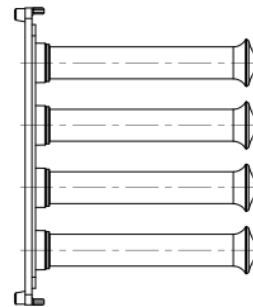
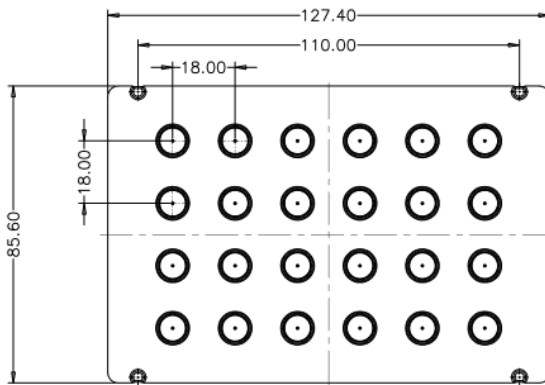
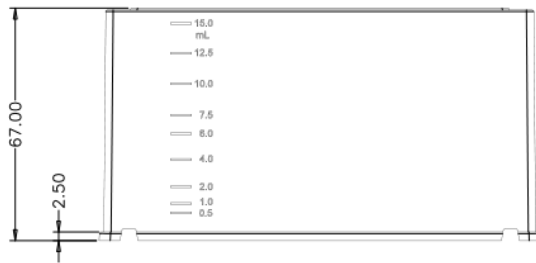
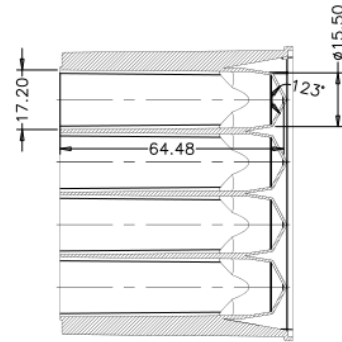
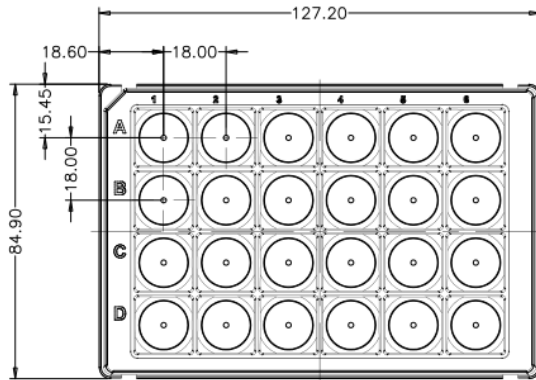


NEST China
 Tel : 0510-6878 8698 / 6878 8718
 Email : info@nest-wuxi.com
 Website : www.cell-nest.com
 Add : No.530, xida road, new district, Wuxi, Jiangsu, China

NEST USA
 Tel : +1-732-381-0268
 Email : info@nestscientificusa.com
 Website : www.nestscientificusa.com
 Add : 1592 Hart St., Rahway, NJ07065, USA

ISO9001 & ISO13485 & ISO11137

510011, 16 mL 24-Well Deep Well Plates, V Bottom, Square Well, with 24 Well Plastic Comb
 510001, 16 mL 24-Well Deep Well Plates, V Bottom, Square Well
 509001, 24 Tip Combs



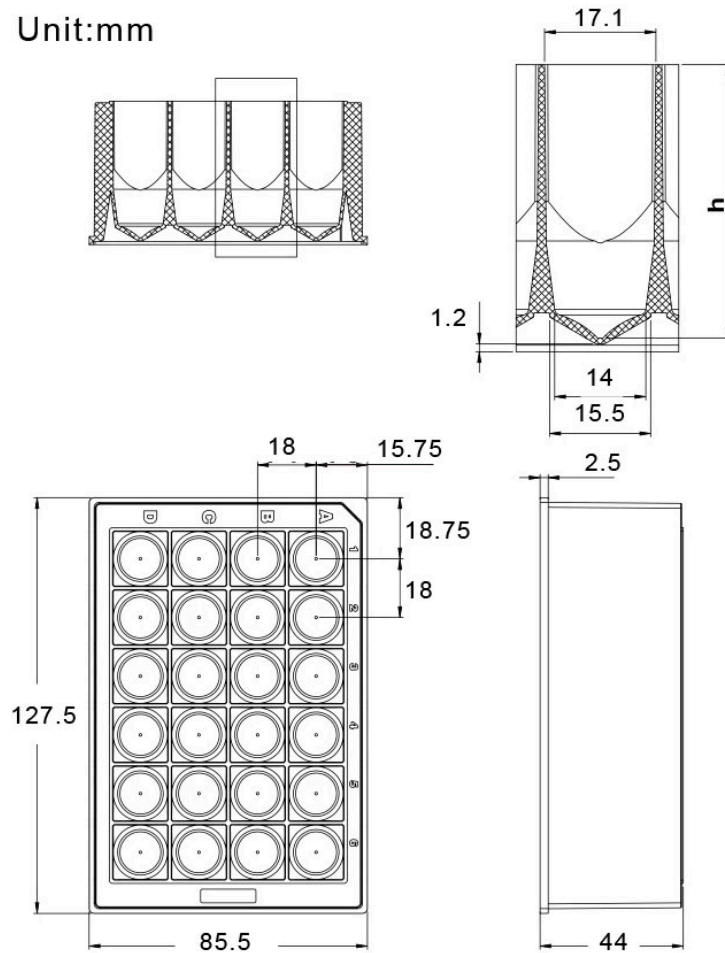
NEST China
 Tel : 0510-6878 8698 / 6878 8718
 Email : info@nest-wuxi.com
 Website : www.cell-nest.com
 Add : No.530, xida road, new district, Wuxi, Jiangsu, China

NEST USA
 Tel : +1-732-381-0268
 Email : info@nestscientificusa.com
 Website : www.nestscientificusa.com
 Add : 1592 Hart St., Rahway, NJ07065, USA

ISO9001 & ISO13485 & ISO11137

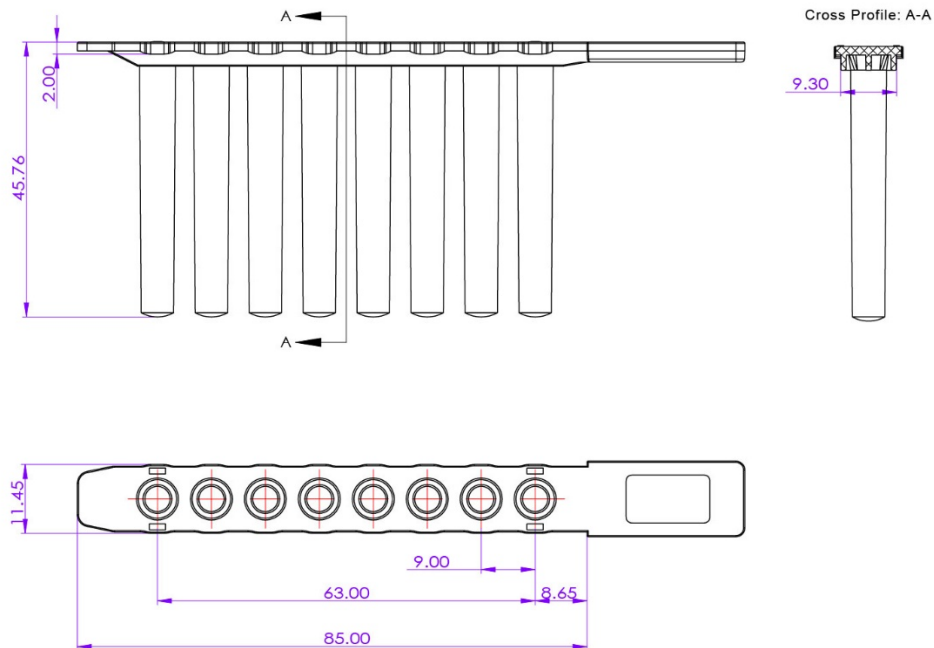
504301 & 504361,
10.4ml 24-well, V-Bottom, Square well

Unit:mm



509211 & 509261,
8-Tip Combs

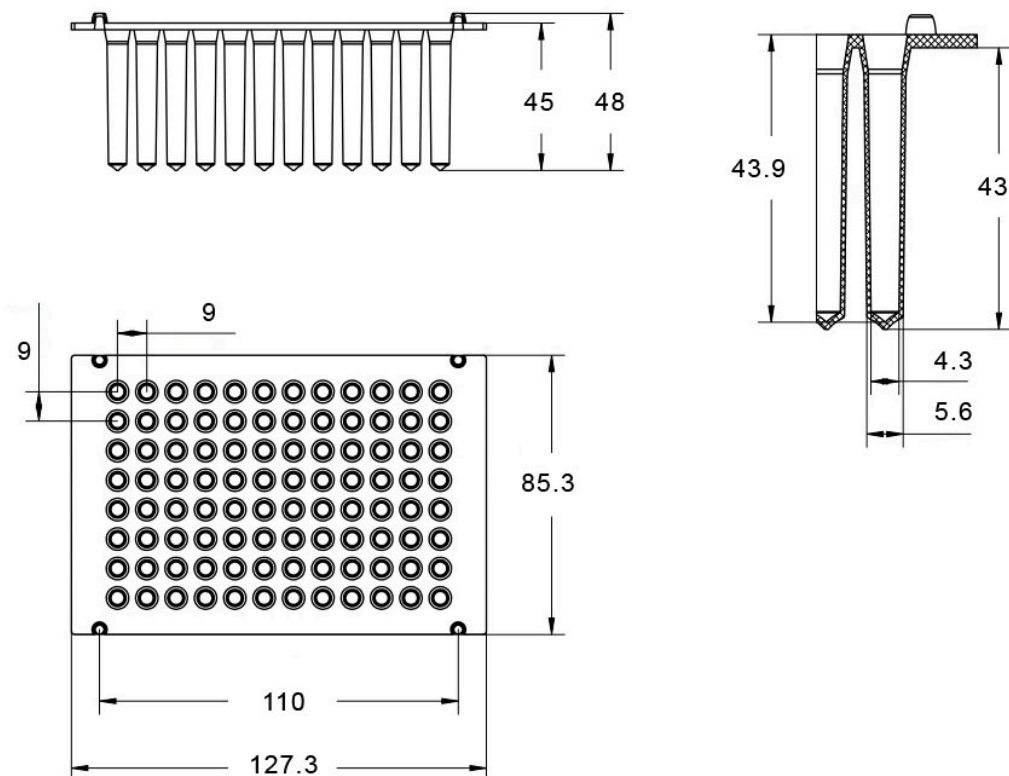
Unit:mm



NEST China	Tel : 0510-6878 8698 / 6878 8718	NEST USA	Tel : +1-732-381-0268
	Email : info@nest-wuxi.com		Email : info@nestscientificusa.com
	Website : www.cell-nest.com		Website : www.nestscientificusa.com
	Add : No.530, xida road, new district, Wuxi, Jiangsu, China		Add : 1592 Hart St., Rahway, NJ07065, USA

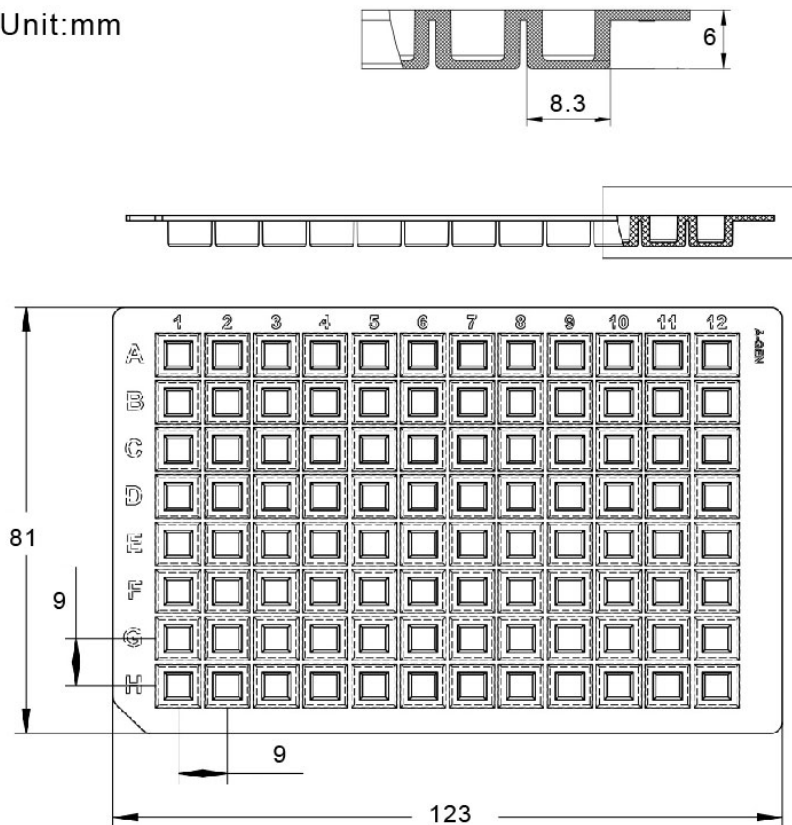
503361 & 503311,
96-Tip Combs

Unit:mm



96 Well Square well Silicone Sealing Mat

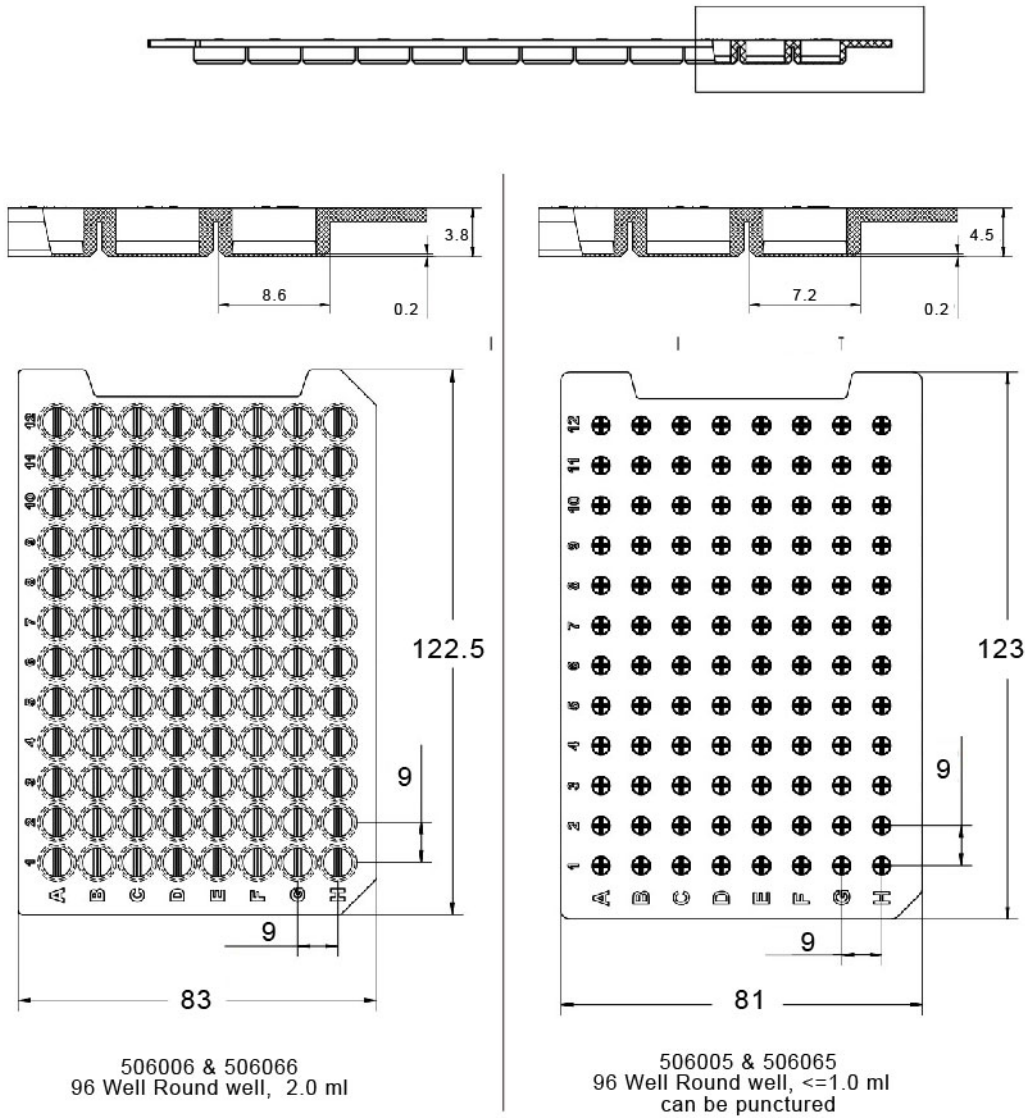
Unit:mm



NEST China	Tel : 0510-6878 8698 / 6878 8718	NEST USA	Tel : +1-732-381-0268
	Email : info@nest-wuxi.com		Email : info@nestscientificusa.com
	Website : www.cell-nest.com		Website : www.nestscientificusa.com
	Add : No.530, xida road, new district, Wuxi, Jiangsu, China		Add : 1592 Hart St., Rahway, NJ07065, USA

96 Well Round well Silicone Sealing Mat

Unit:mm



NEST China
 Tel : 0510-6878 8698 / 6878 8718
 Email : info@nest-wuxi.com
 Website : www.cell-nest.com
 Add : No.530, xida road, new district, Wuxi, Jiangsu, China

NEST USA
 Tel : +1-732-381-0268
 Email : info@nestscientificusa.com
 Website : www.nestscientificusa.com
 Add : 1592 Hart St., Rahway, NJ07065, USA